

TEZ450-U2 VIDEO CONFERENCING CAMERA

TEZ450-U2 is a perfect conference video. It applies advanced ISP processing algorithms to provide vivid images with a strong sense of depth, high resolution, and fantastic color rendition. The audio adopts the international advanced new-generation high-definition voice processing technology with clear and smooth sound quality and strong environmental adaptability. It can provide participants with smooth and natural audiovisual effects whenever and wherever, and provide a comfortable and immersive experience for teleconferencing and other applications.



KEY FEATURES



Superb High-definition Image

Various video output formats 1920*1080;1280*720;640*480;640*360;352*288;320*240



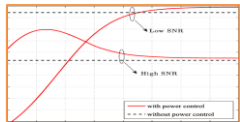
Multiple Optical Zoom Lens

Zoom 10X. Ultra-quiet pan/tilt design, horizontal 178°, vertical -30°~ +90° rotation



Leading Auto Focus Technology

Leading auto focus algorithm makes lens auto focus more quickly, accurately and stably.



Integration with multiple operating systems

Strong compatibility, support Windows, Android system, Linux, Mac, IOS.



Integration with many software

TEZ450-U2 can be integrated with many software: zoom, skype, cisco webex, trans.



High Compatibility

Windows 7/8/8.1/10, Mac OS X, Android & Linus System, BlueJeans, Easymeeting, Cisco Jabber[®] and WebEx[®], Citrix[®], GoToMeeting, Google Hangouts, Microsoft[®] Skype.



Audio and Video Storage

ONE USB Cable can transimission 【Video + Power+ Communication】
USB 2.0 video output, plug and play

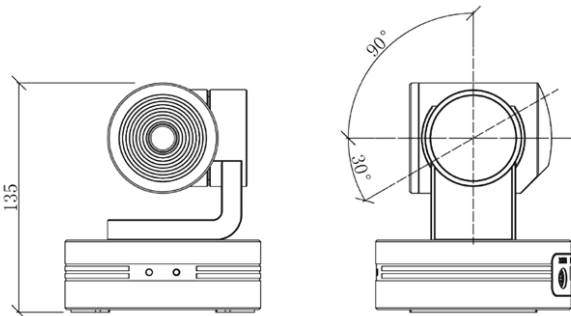
TECHNICAL SPECIFICATION

Camera Specs

- 1/2.8" HD Color Sony CMOS, 2.2 MegaPixel
- Frame Rate: H.264/MJPEG 1080P/30fps, YU Y 720P30fps
- Resolution: 1920*1080@30fps; 1280*720; 640*480; 320*240
- Lens: 10X Optical f=5.1mm-51.0mm, F=1.8(W)-2.5(T)
- Horizontal Field of View 72°(W)
- Min Lux 0.2lux /0.005 lux
- Shutter Speed 1 to 1/10000s
- Flip & Mirror Supported
- Indoor Application

Generic

- Dimensions (L X W X H) 120mm*135mm *120mm
- Weight 1.2kg
- Operating Temperature -10°C ~ 50°C
- Max Consumption: 12W DC12V @1A



Input/Output Interface

- Video Output: USB 2.0
- Communication interface: RS232 / USB2.0 /RS485
- Power On: USB2.0 / JEITA type (DC IN 12V)

Packing Box

- 1x U210 PTZ Camera
- 1x RS-232 to DB 9pin cable
- 1x IR Remote Controller
- 1x User Manual
- 1x 12V/2.0 A DC Power Adapter

Mechanical

- Pan $\pm 178^\circ$; Tilt Rotation $-30^\circ \sim +90^\circ$
- Pan Speed: 0.1~100°/s
- Tilt Speed: 0.1~80°/s
- 255 Presets (9Presets by IR Remote)
- PTZ Control Protocol : VISCA and PELCO D/P

